

- DIGITAL SOUND ACTIVATED FIRE DOOR HOLDER
- LEARNS THE SOUND OF YOUR FIRE ALARM
- EASY, WIRE FREE INSTALLATION AND PROGRAMMING
- DAILY TIMED RELEASE OPTION
- 200 N HOLDING FORCE
- TWO ALKALINE C CELL BATTERIES
- CONFORMS TO EN1155 AND CE MARKED

AGRIPPA

 listens & learns



The Agrippa fire door holder learns the sound of your specific fire alarm, releasing the door in the event of a fire.

This new innovation in the industry is also wire free, so it can easily be retrofitted to any door. The releasing trigger reacts to a particular sound rather than simply a loud noise, significantly reducing false activations.

The holder is easy to install, only requires C cell batteries (which last for 12 months) and can be programmed for daily release. Suitable for installation to BS 7273-4 Standard Actuation (Category B).

Other features include a seven segment LED display, manual release button and a low battery warning display.

Ideally suited to environments such as care homes, schools and hospitals where it is essential to have doors in an open position at certain times of the day to aid access, but equally as important to ensure the doors are closed in the event of a fire.

The holder is part of the Agrippa suite of products, which also includes a sound activated fire door closer.

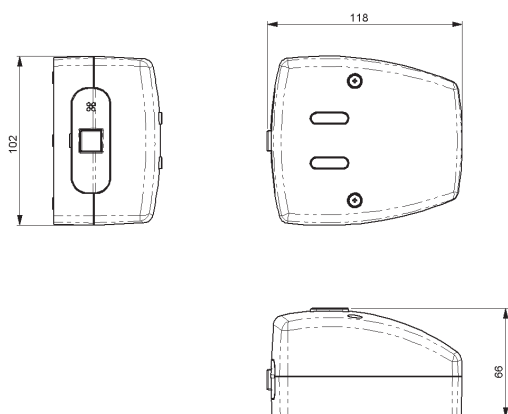
TECHNICAL INFORMATION

Holding force	200 N
Power size	5
Default setting	70dBA, 1.2 - 3.0 kHz
Preferred sounder	Continuous tone *
Dimensions	L-118 x W-102 x D-66
Standard finish	White
Finish	Part number
Standard white	3-80-0060
Polished brass	3-80-0062
Black	3-80-0066

* Not suitable for domestic smoke detector alarms or voice alarm systems

Patented in the United Kingdom under patent number 2507582

Part Number : 3-80-0060



Keeper Plate

